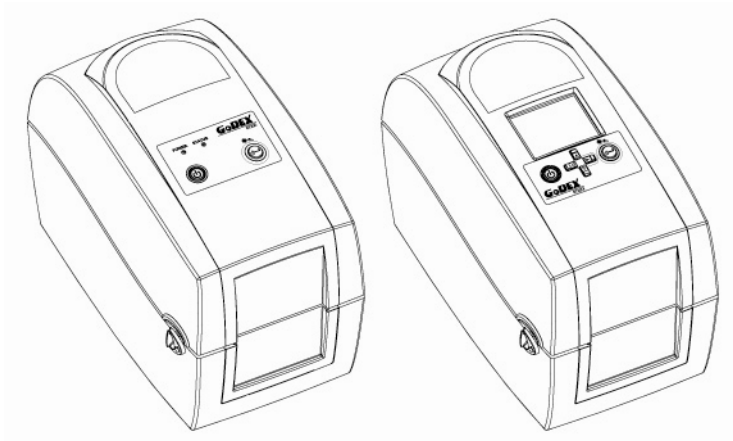


# SPARE PARTS ORDER LIST

## Godex RT200 / RT200i



---

**Godex**

**Spare Part Order List**

**RT200 / RT200i**

**Release Version : V1.1**

**Release Date : 2012.08.31**

**CHAPTER 1 PRINTER ASSEMBLY PARTS LIST.....2**

1.1 THERMAL PRINT HEAD MODULE.....2

1.2 MAIN BOARD ASSEMBLY MODULE.....3

1.3 BUTTONS AND LED ASSEMBLY (FOR RT200 SERIES).....4

1.4 BUTTONS AND LCD ASSEMBLY (FOR RT200I SERIES).....5

1.5 MOTOR MODULE.....6

1.6 PLATEN MODULE.....7

1.7 PRINTING MECHANISM HOOK ASSEMBLY.....8

1.8 RIBBON SENSOR ASSEMBLY.....9

1.9 SEE-THROUGH SENSOR ASSEMBLY.....10

1.10 REFLECTIVE SENSOR ASSEMBLY.....11

1.11 POWER ADAPTER.....12

1.12 RT200/RT230 MAIN PARTS.....13

1.13 RT200I/RT230I MAIN PARTS.....16

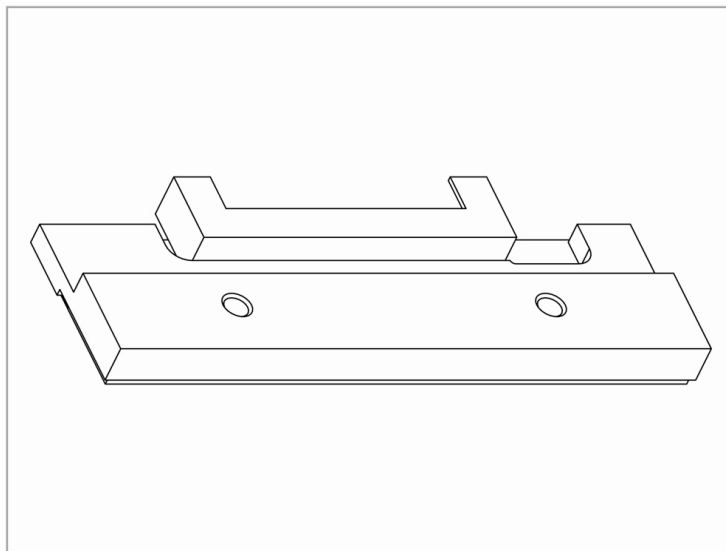
**CHAPTER 2 OPTIONAL MODULE LIST.....19**

2.1 OPTION - CUTTER MODULE.....19

2.2 OPTION - LABEL DISPENSER MODULE.....20

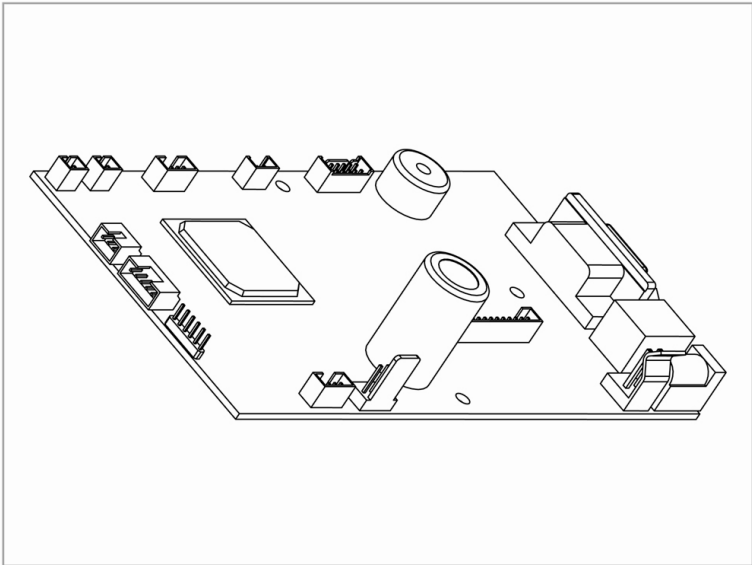
# CHAPTER 1 PRINTER ASSEMBLY PARTS LIST

## 1.1 THERMAL PRINT HEAD MODULE



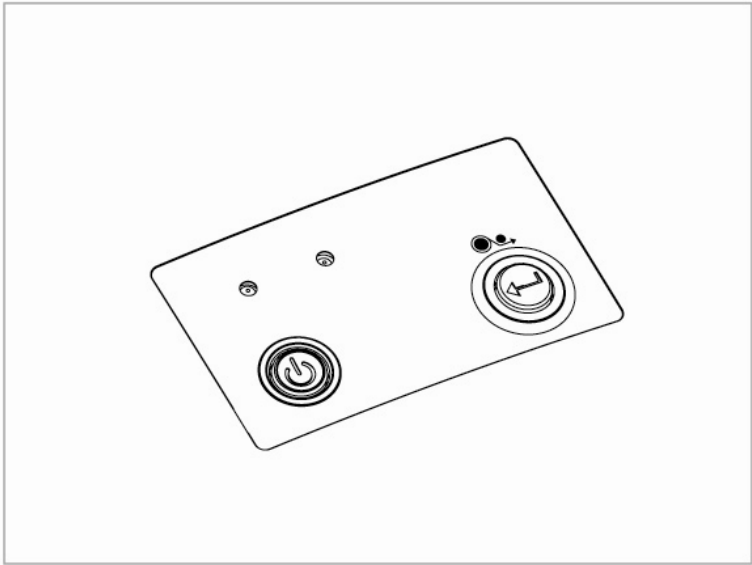
ITEM	PART NO.	DESCRIPTION	MODELS	LIST PRICE
1	021-R20001-000	THERMAL PRINTER HEAD MODULE, 203 DPI	RT200 / RT200i	\$
	021-R23001-000	THERMAL PRINTER HEAD MODULE, 300 DPI	RT230 / RT230i	\$

# 1.2 MAIN BOARD ASSEMBLY MODULE



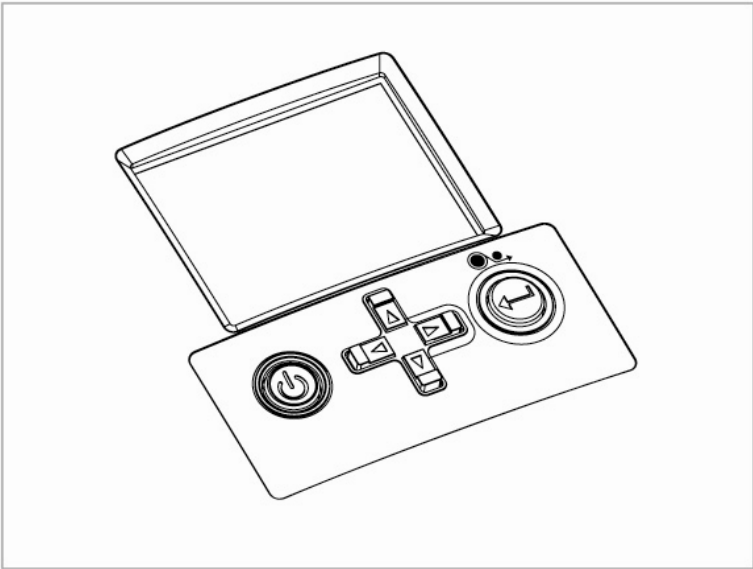
ITEM	PART NO.	DESCRIPTION	MODELS	LIST PRICE
1	021-R20005-000	MAIN BOARD ASSEMBLY, USB/SERIAL/ETHERNET	RT200 / RT230	\$
	021-R2i003-000	MAIN BOARD ASSEMBLY, USB/SERIAL/ETHERNET/USB HOST	RT200i / RT230i	\$

### 1.3 BUTTONS AND LED ASSEMBLY (FOR RT200 SERIES)



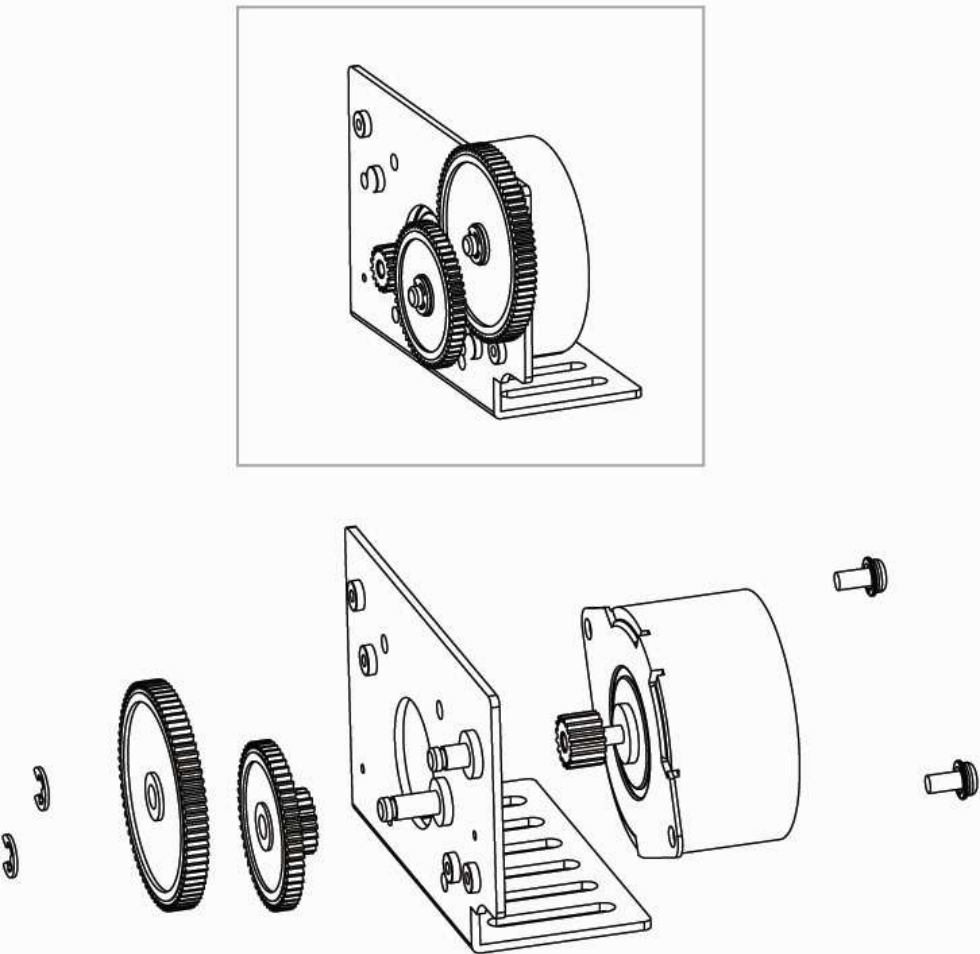
ITEM	PART NO.	DESCRIPTION	MODELS	LIST PRICE
1	021-R20003-000	BUTTONS AND LED ASSEMBLY	RT200 / RT230	\$

**1.4 BUTTONS AND LCD ASSEMBLY (FOR RT200I SERIES)**



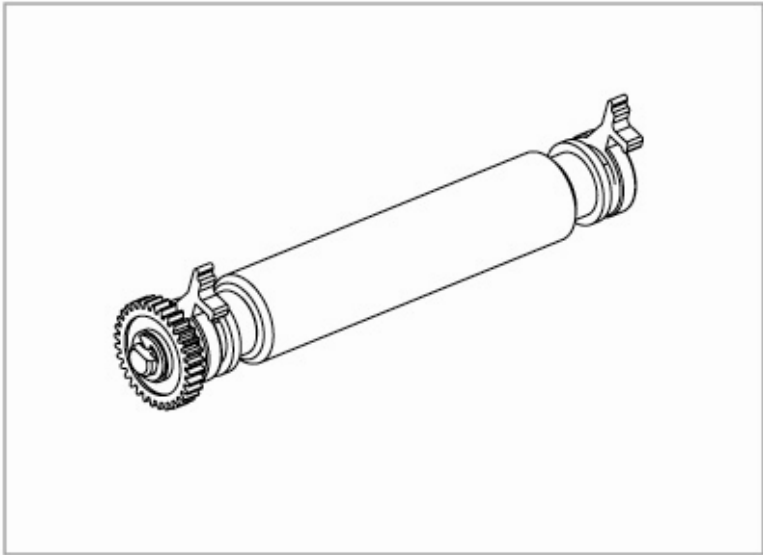
ITEM	PART NO.	DESCRIPTION	MODELS	LIST PRICE
1	021-R2i001-000	BUTTONS AND LCD ASSEMBLY	RT200i / RT230i	\$

# 1.5 MOTOR MODULE



ITEM	PART NO.	DESCRIPTION	MODELS	LIST PRICE
1	021-R20009-000	MOTOR MODULE	RT200 / RT200i / RT230 / RT230i	\$

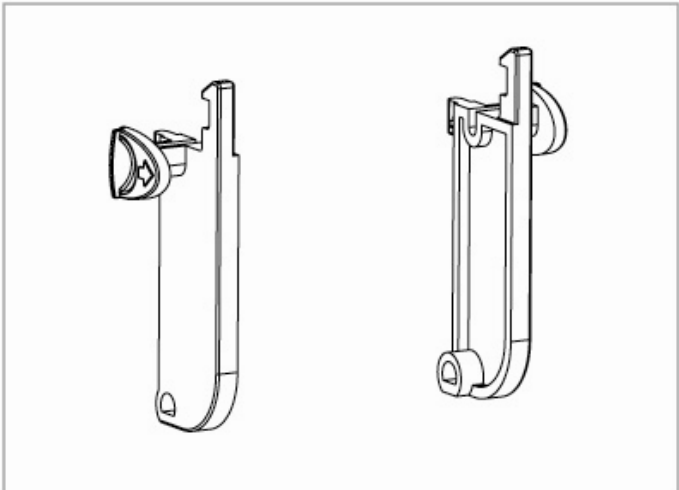
# 1.6 PLATEN MODULE



ITEM	PART NO.	DESCRIPTION	MODELS	LIST PRICE
1	021-R20004-000	PLATEN MODULE	RT200 / RT200i / RT230 / RT230i	\$

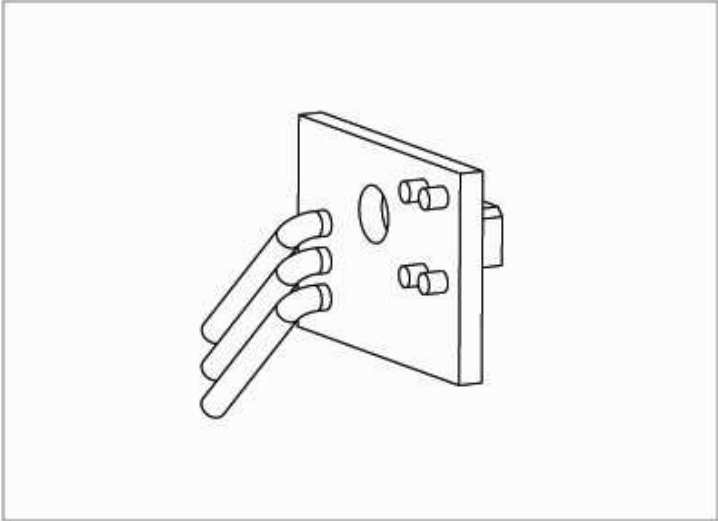


# 1.7 PRINTING MECHANISM HOOK ASSEMBLY



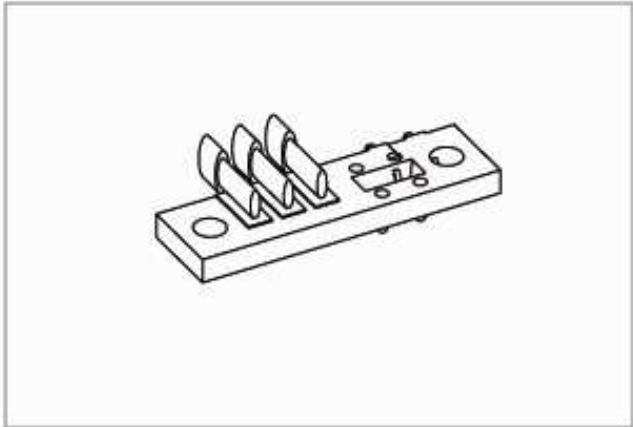
ITEM	PART NO.	DESCRIPTION	MODELS	LIST PRICE
1	021-R20008-000	PRINTING MECHANISM HOOK ASSEMBLY	RT200 / RT200i / RT230 / RT230i	\$

# 1.8 RIBBON SENSOR ASSEMBLY



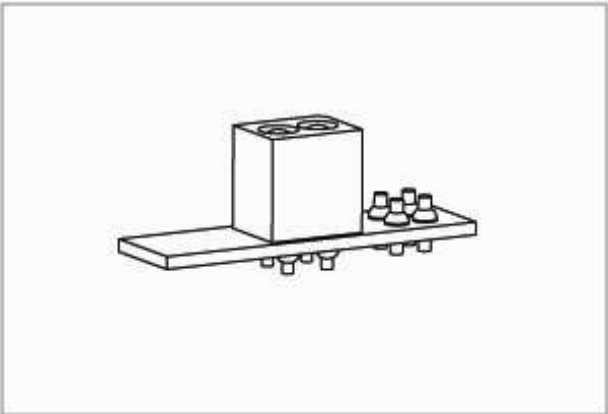
ITEM	PART NO.	DESCRIPTION	MODELS	LIST PRICE
1	021-R20002-000	RIBBON SENSOR ASSEMBLY	RT200 / RT200i / RT230 / RT230i	\$

# 1.9 SEE-THROUGH SENSOR ASSEMBLY



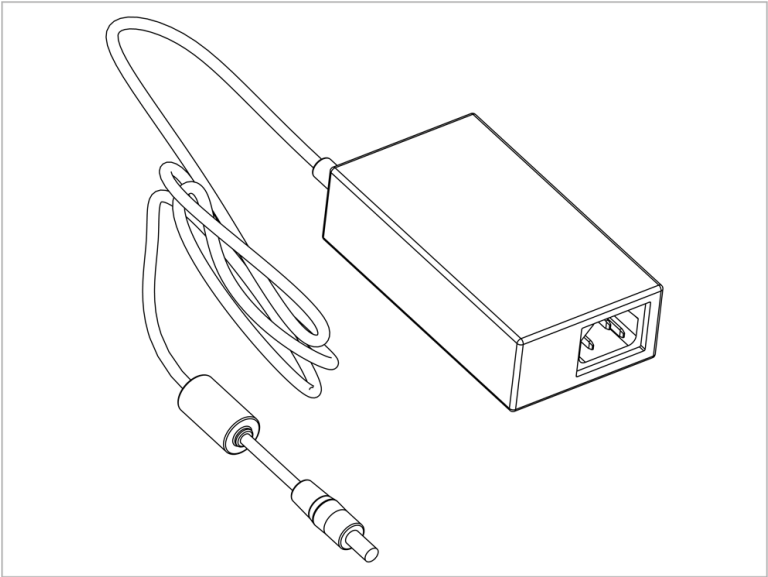
ITEM	PART NO.	DESCRIPTION	MODELS	LIST PRICE
1	021-R20006-000	SEE-THROUGH SENSOR ASSEMBLY	RT200 / RT200i / RT230 / RT230i	\$

# 1.10 REFLECTIVE SENSOR ASSEMBLY



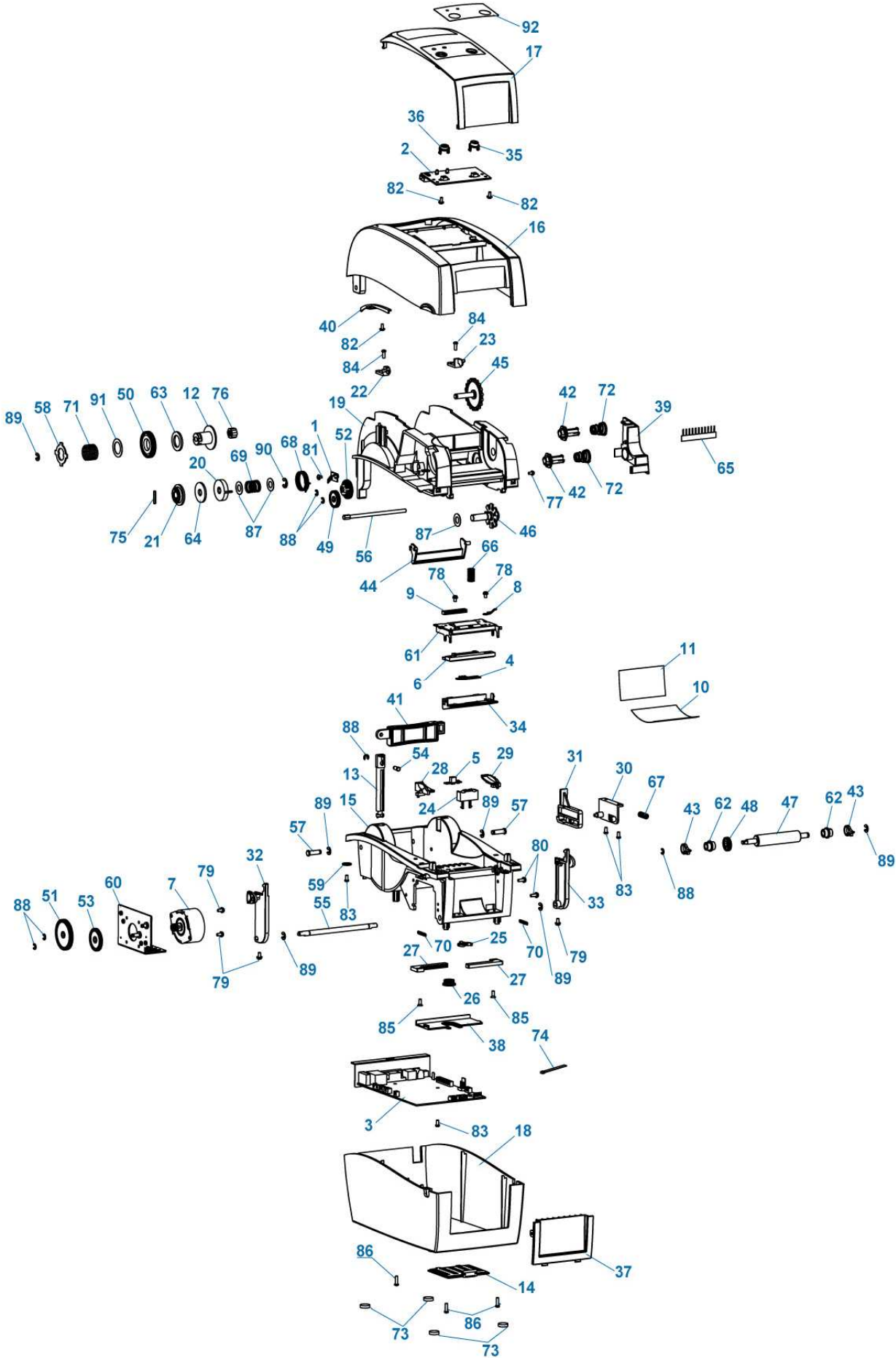
ITEM	PART NO.	DESCRIPTION	MODELS	LIST PRICE
1	021-R20007-000	REFLECTIVE SENSOR ASSEMBLY	RT200 / RT200i / RT230 / RT230i	\$

# 1.11 POWER ADAPTER



ITEM	PART NO.	DESCRIPTION	MODELS	LIST PRICE
1	021-G50006-000	POWER ADAPTER	RT200 / RT200i / RT230 / RT230i	\$

# 1.12 RT200/RT230 MAIN PARTS



# PART LIST TABLE

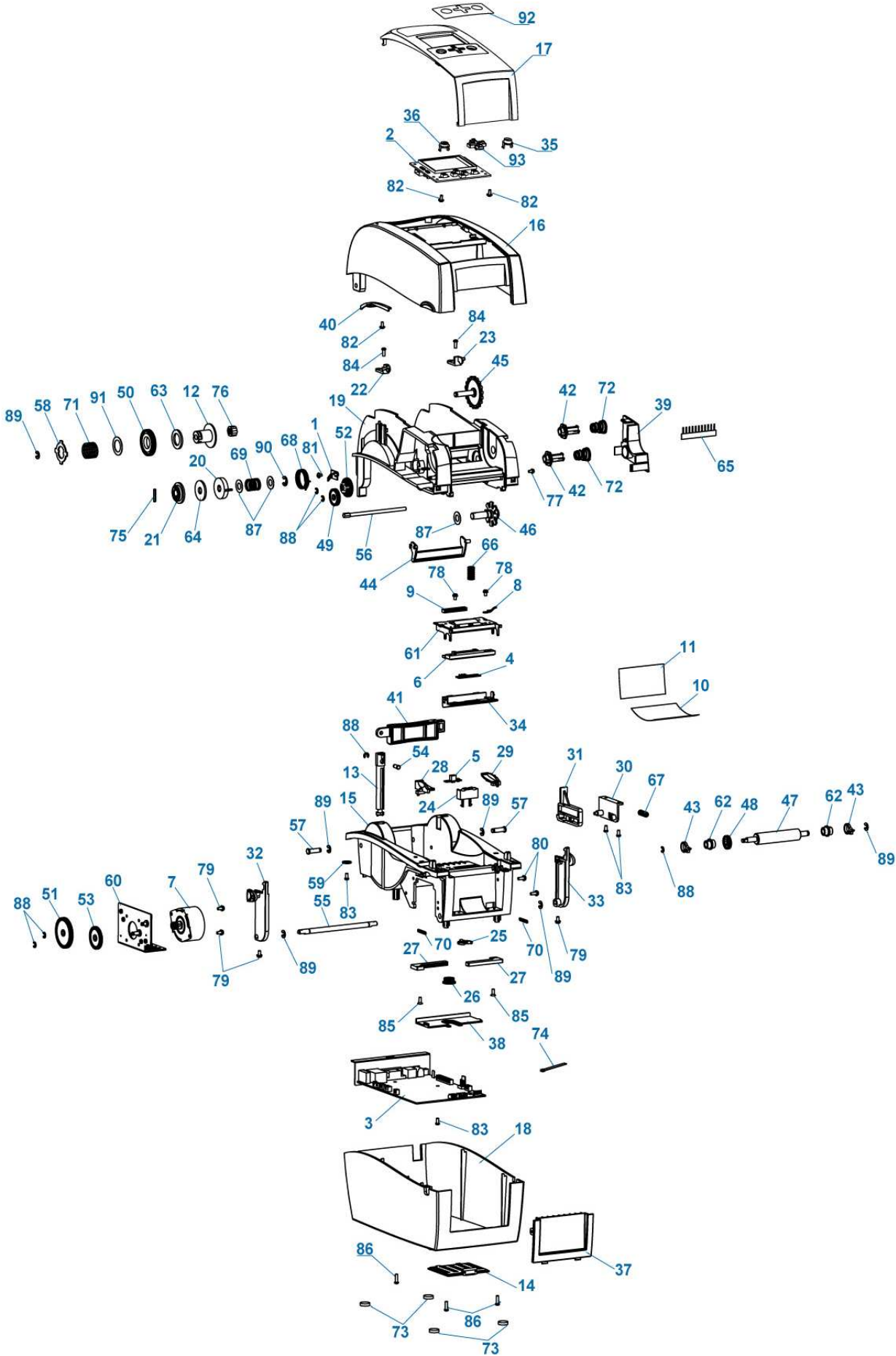
Model : RT200 & RT230  
Issue Version : V 1.0

MAIN PARTS				
ITEM	PART NO.	DESCRIPTION	Q'TY	REMARK
1	160-000227-000	RIBBON SENSOR BOARD ASS'Y	1	
2	160-000256-001	FEED & SW BOARD ASS'Y,RT200	1	
3	160-000258-011	MAIN BOARD ASS'Y,USB+RS232+LAN,RT200	1	
4	160-000259-000	SEE-THROUGH SENSOR BOARD ASS'Y	1	
5	160-000260-000	BLACK MARK SENSOR BOARD ASS'Y	1	
6	219-112240-202	TPH,200DPI,2",24V	1	RT200
	219-121240-002	TPH,300DPI,2",24V	1	RT230
7	220-325705-204	STEPPING,MOTOR,57mm,24V,Bipolar	1	
8	227-100033-000	GND WIRE,Green	1	
9	227-116007-041	HOUSING 200PH-16Px2,N420mm	1	
10	325-023800-003	Media Roll Installation Label	1	
11	325-023900-003	Ribbon Roll Installation Label	1	
12	700-038300-001	One way bearing base,POM	1	
13	700-057000-001	Label core fix column	1	
14	700-063301-001	Bottom base cover,Black	1	
15	700-080800-001	Main Frame Base	1	
16	700-080900-001	Top Cover	1	
17	700-081000-001	Window,RT200	1	
18	700-081200-001	Bottom Case	1	
19	700-081300-001	Print frame shelf	1	
20	700-081400-001	Ribbon Supply Rewind Cap	1	
21	700-081500-001	Ribbon Supply Rewind Holder	1	
22	700-081600-001	Print Frame Link-L	1	
23	700-081700-001	Print Frame Link-R	1	
24	700-081800-001	Sensor Case	1	
25	700-081900-001	Sensor Case Lock Plate	1	
26	700-082000-001	Label Guide Gear	1	
27	700-082100-001	Gear Rack	2	
28	700-082200-001	Label Guide-L	1	
29	700-082300-001	Label Guide-R	1	
30	700-082400-001	Print Frame Lock Hook	1	
31	700-082500-011	Print Frame Lock Handle	1	
32	700-082600-001	Hook-L	1	
33	700-082700-001	Hook-R	1	
34	700-082800-001	TPH Cove	1	
35	700-082905-001	Push Button Enter	1	
36	700-083005-001	Push Button Power	1	
37	700-083100-001	Bottom Front Panel	1	
38	700-083200-001	Gear Rack Cover	1	
39	700-083300-001	Cable Cover, Print Frame	1	
40	700-083400-001	Cable Cover, Top Cover	1	
41	700-083500-001	Label Rod	1	
42	700-083600-011	Ribbon Core Holder	2	
43	700-083700-001	Bushing Loc	2	

44	700-083800-001	Label Path Plate	1	
45	700-083900-001	Ribbon Rewind Wheel	1	
46	700-084000-001	Ribbon Supply Whee	1	
47	705-004100-000	PLATEN	1	
48	715-013205-100	SPUR GEAR,32T*M0.5*4.0t	1	
49	715-014005-100	SPUR GEAR,40T*M0.5*4.0t	1	
50	715-016405-110	SPUR GEAR,64T*M0.5*4.0t,IDΦ15.05	1	
51	715-017505-101	SPUR GEAR,75T,M0.5,IDΦ4	1	
52	715-024528-100	DOUBLE GEAR,45/28T,M0.5*7.5t	1	
53	715-025520-100	DOUBLE GEAR,55/20T,M0.5*7.5t	1	
54	720-060100-010	Label roll fix column,nickel	1	
55	720-068000-000	Hook Shaft	1	
56	720-068100-000	Ribbon Shaft ESD	1	
57	720-068200-000	Hinge Pin	2	
58	725-036000-001	Fix spacer	1	
59	725-063900-011	Label rod fix spacer	1	
60	725-080500-001	Motor Bracket(PM)	1	
61	725-080700-001	TPH Bracket	1	
62	730-001400-000	Platen Bushing	2	
63	745-000800-000	Wool fiber,Φ24*15.3*2.0t,mm	1	
64	745-005200-000	Wool,Φ8.2*Φ25*2t	1	
65	745-006300-000	Anti-Static Brush,50mm	1	
66	750-033900-000	TPH SPRING,(C)D6.0*D1.0*18.75L*8N	1	
67	750-034300-000	LIMITED SPRING,(C) D5.5*D0.4*15L*6N	1	
68	750-035700-000	Spring,Ribbon Rewind,D22.5*D0.8*6N	1	
69	750-036500-000	Compress Spring,ribbon Supply	1	
70	750-037100-000	Hook Spring	2	
71	750-037200-000	Spring,(C)D16.3*D14*20L*4N	1	
72	750-037300-000	Ribbon Core Holder Spring	2	
73	760-000200-001	RUBBER FOOT	4	
74	760-000700-001	CABLE TIES,GT-75M,75mm	3	
75	760-006400-002	SPRING PIN,Φ2.5*16L	1	
76	760-006700-002	ONE WAY CLUTCH	1	
77	765-126054-142	MACHINE SCREW,P,NI,M2.6*5,SPW ONLY	1	
78	765-130054-142	MACHINE SCREW,P,NI,M3*5,SPW ONLY	2	
79	765-130064-142	MACHINE SCREW,P,NI,M3*6,SPW ONLY	4	
80	765-130084-142	MACHINE SCREW,P,NI,M3*8,SPW ONLY	2	
81	765-226044-148	TAPPING SCREW,P,NI,Φ6FW,Φ2.6*4,TAP III	1	
82	765-226064-108	TAPPING SCREW,P,NI,Φ6FW,Φ2.6*6,TAP III	3	
83	765-230064-145	TAPPING SCREW,P,NI,3*6,TAP III	4	
84	765-230084-145	TAPPING SCREW,P,NI,3*8,TAP III	2	
85	765-230087-445	TAPPING SCREW,F,ZN,3*8,TAP III	2	
86	765-230104-145	TAPPING SCREW,P,NI,3*10,TAP III	3	
87	775-230816-053	GRAPHITE WASHER,Φ8.1*Φ16*0.5t/mm	3	
88	775-620307-063	E-RING,Φ3.0*Φ7.0*0.6t/mm	6	
89	775-620409-063	E-RING,Φ4.0*9.0*0.6t/mm(BK),1-092401-00	6	
90	775-620612-082	E-RING,Φ6.0*Φ12*0.8t/mm	1	
91	775-C61523-053	GRAPHITE WASHER,Φ23*Φ15.2*0.5t/mm	1	
92	755-010500-000	Overlay Label,RT200	1	



# 1.13 RT200I/RT230I MAIN PARTS



# PART LIST TABLE

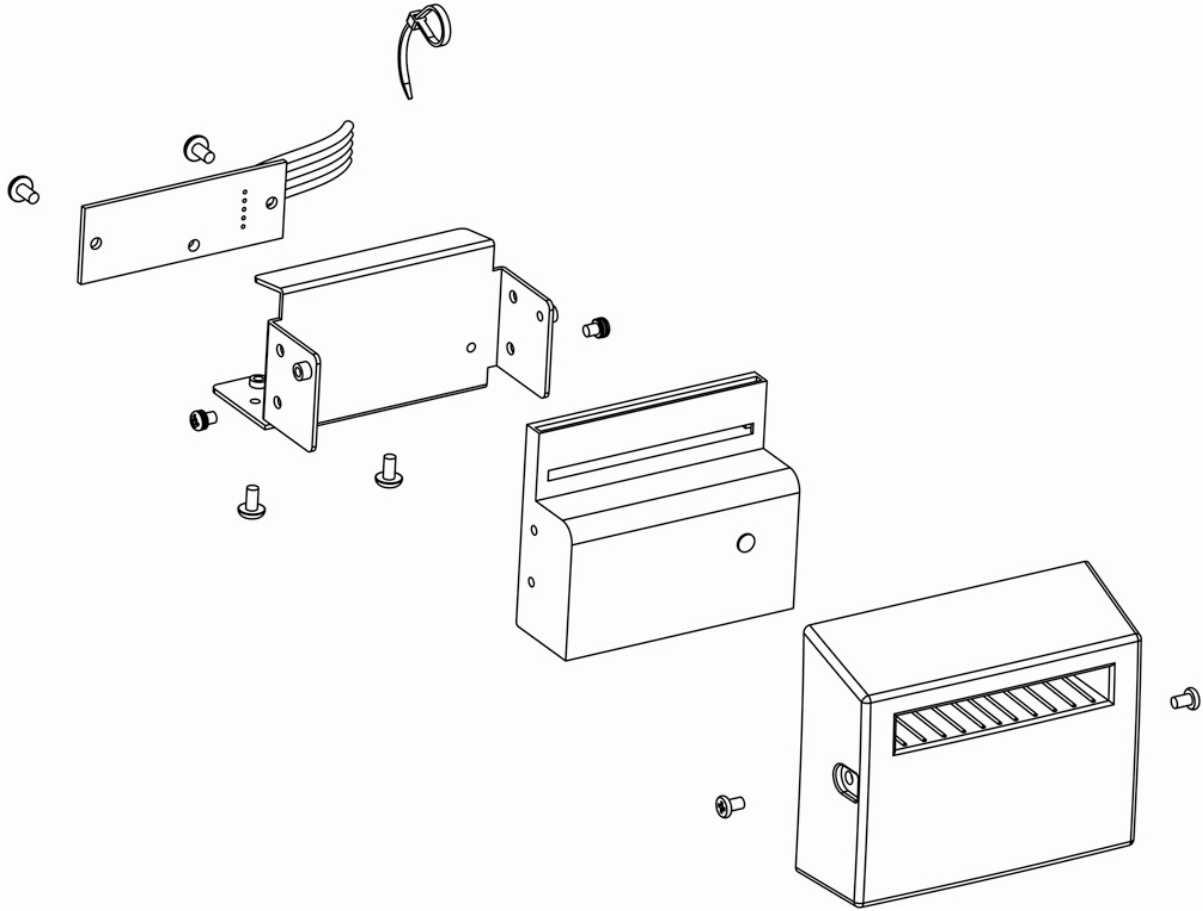
Model : RT200i & RT230i  
Issue Version : V 1.0

MAIN PARTS				
ITEM	PART NO.	DESCRIPTION	Q'TY	REMARK
1	160-000227-000	RIBBON SENSOR BOARD ASS'Y	1	
2	160-000243-001	LCD BOARD ASS'Y,RT200i	1	
3	160-000258-021	MAIN BOARD,USB+RS232+LAN+USBH,RT200i	1	
4	160-000259-000	SEE-THROUGH SENSOR BOARD ASS'Y	1	
5	160-000260-000	BLACK MARK SENSOR BOARD ASS'Y	1	
6	219-112240-202	TPH,200DPI,2",24V	1	RT200i
	219-121240-002	TPH,300DPI,2",24V	1	RT230i
7	220-325705-204	STEPPING,MOTOR,57mm,24V,Bipolar	1	
8	227-100033-000	GND WIRE,Green	1	
9	227-116007-041	HOUSING 200PH-16Px2,N420mm	1	
10	325-023800-003	Media Roll Installation Label	1	
11	325-023900-003	Ribbon Roll Installation Label	1	
12	700-038300-001	One way bearing base,POM	1	
13	700-057000-001	Label core fix column	1	
14	700-063301-001	Bottom base cover,Black	1	
15	700-080800-001	Main Frame Base	1	
16	700-080900-001	Top Cover	1	
17	700-081100-001	Window(LCD),RT200i	1	
18	700-081200-001	Bottom Case	1	
19	700-081300-001	Print frame shelf	1	
20	700-081400-001	Ribbon Supply Rewind Cap	1	
21	700-081500-001	Ribbon Supply Rewind Holder	1	
22	700-081600-001	Print Frame Link-L	1	
23	700-081700-001	Print Frame Link-R	1	
24	700-081800-001	Sensor Case	1	
25	700-081900-001	Sensor Case Lock Plate	1	
26	700-082000-001	Label Guide Gear	1	
27	700-082100-001	Gear Rack	2	
28	700-082200-001	Label Guide-L	1	
29	700-082300-001	Label Guide-R	1	
30	700-082400-001	Print Frame Lock Hook	1	
31	700-082500-011	Print Frame Lock Handle	1	
32	700-082600-001	Hook-L	1	
33	700-082700-001	Hook-R	1	
34	700-082800-001	TPH Cove	1	
35	700-082905-001	Push Button Enter	1	
36	700-083005-001	Push Button Power	1	
37	700-083100-001	Bottom Front Panel	1	
38	700-083200-001	Gear Rack Cover	1	
39	700-083300-001	Cable Cover, Print Frame	1	
40	700-083400-001	Cable Cover, Top Cover	1	
41	700-083500-001	Label Rod	1	
42	700-083600-011	Ribbon Core Holder	2	
43	700-083700-001	Bushing Loc	2	

44	700-083800-001	Label Path Plate	1	
45	700-083900-001	Ribbon Rewind Wheel	1	
46	700-084000-001	Ribbon Supply Whee	1	
47	705-004100-000	PLATEN	1	
48	715-013205-100	SPUR GEARM,32T*M0.5*4.0t	1	
49	715-014005-100	SPUR GEAR,40T*M0.5*4.0t	1	
50	715-016405-110	SPUR GEAR,64T*M0.5*4.0t,IDΦ15.05	1	
51	715-017505-101	SPUR GEAR,75T,M0.5,IDΦ4	1	
52	715-024528-100	DOUBLE GEAR,45/28T,M0.5*7.5t	1	
53	715-025520-100	DOUBLE GEAR,55/20T,M0.5*7.5t	1	
54	720-060100-010	Label roll fix column,nickel	1	
55	720-068000-000	Hook Shaft	1	
56	720-068100-000	Ribbon Shaft ESD	1	
57	720-068200-000	Hinge Pin	2	
58	725-036000-001	Fix spacer	1	
59	725-063900-011	Label rod fix spacer	1	
60	725-080500-001	Motor Bracket(PM)	1	
61	725-080700-001	TPH Bracket	1	
62	730-001400-000	Platen Bushing	2	
63	745-000800-000	Wool fiber,Φ24*15.3*2.0t,mm	1	
64	745-005200-000	Wool,Φ8.2*Φ25*2t	1	
65	745-006300-000	Anti-Static Brush,50mm	1	
66	750-033900-000	TPH SPRING,(C)D6.0*D1.0*18.75L*8N	1	
67	750-034300-000	LIMITED SPRING,(C) D5.5*D0.4*15L*6N	1	
68	750-035700-000	Spring,Ribbon Rewind,D22.5*D0.8*6N	1	
69	750-036500-000	Compress Spring,ribbon Supply	1	
70	750-037100-000	Hook Spring	2	
71	750-037200-000	Spring,(C)D16.3*D14*20L*4N	1	
72	750-037300-000	Ribbon Core Holder Spring	2	
73	760-000200-001	RUBBER FOOT	4	
74	760-000700-001	CABLE TIES,GT-75M,75mm	3	
75	760-006400-002	SPRING PIN,Φ2.5*16L	1	
76	760-006700-002	ONE WAY CLUTCH	1	
77	765-126054-142	MACHINE SCREW,P,NI,M2.6*5,SPW ONLY	1	
78	765-130054-142	MACHINE SCREW,P,NI,M3*5,SPW ONLY	2	
79	765-130064-142	MACHINE SCREW,P,NI,M3*6,SPW ONLY	4	
80	765-130084-142	MACHINE SCREW,P,NI,M3*8,SPW ONLY	2	
81	765-226044-148	TAPPING SCREW,P,NI,Φ6FW,Φ2.6*4,TAP III	1	
82	765-226064-108	TAPPING SCREW,P,NI,Φ6FW,Φ2.6*6,TAP III	3	
83	765-230064-145	TAPPING SCREW,P,NI,3*6,TAP III	4	
84	765-230084-145	TAPPING SCREW,P,NI,3*8,TAP III	2	
85	765-230087-445	TAPPING SCREW,F,ZN,3*8,TAP III	2	
86	765-230104-145	TAPPING SCREW,P,NI,3*10,TAP III	3	
87	775-230816-053	GRAPHITE WASHER,Φ8.1*Φ16*0.5t/mm	3	
88	775-620307-063	E-RING,Φ3.0*Φ7.0*0.6t/mm	6	
89	775-620409-063	E-RING,Φ4.0*9.0*0.6t/mm(BK),1-092401-00	6	
90	775-620612-082	E-RING,Φ6.0*Φ12*0.8t/mm	1	
91	775-C61523-053	GRAPHITE WASHER,Φ23*Φ15.2*0.5t/mm	1	
92	755-010800-000	Overlay Label(LCD),RT200i	1	
93	700-084105-001	Push Button Arrow,RT200i	1	

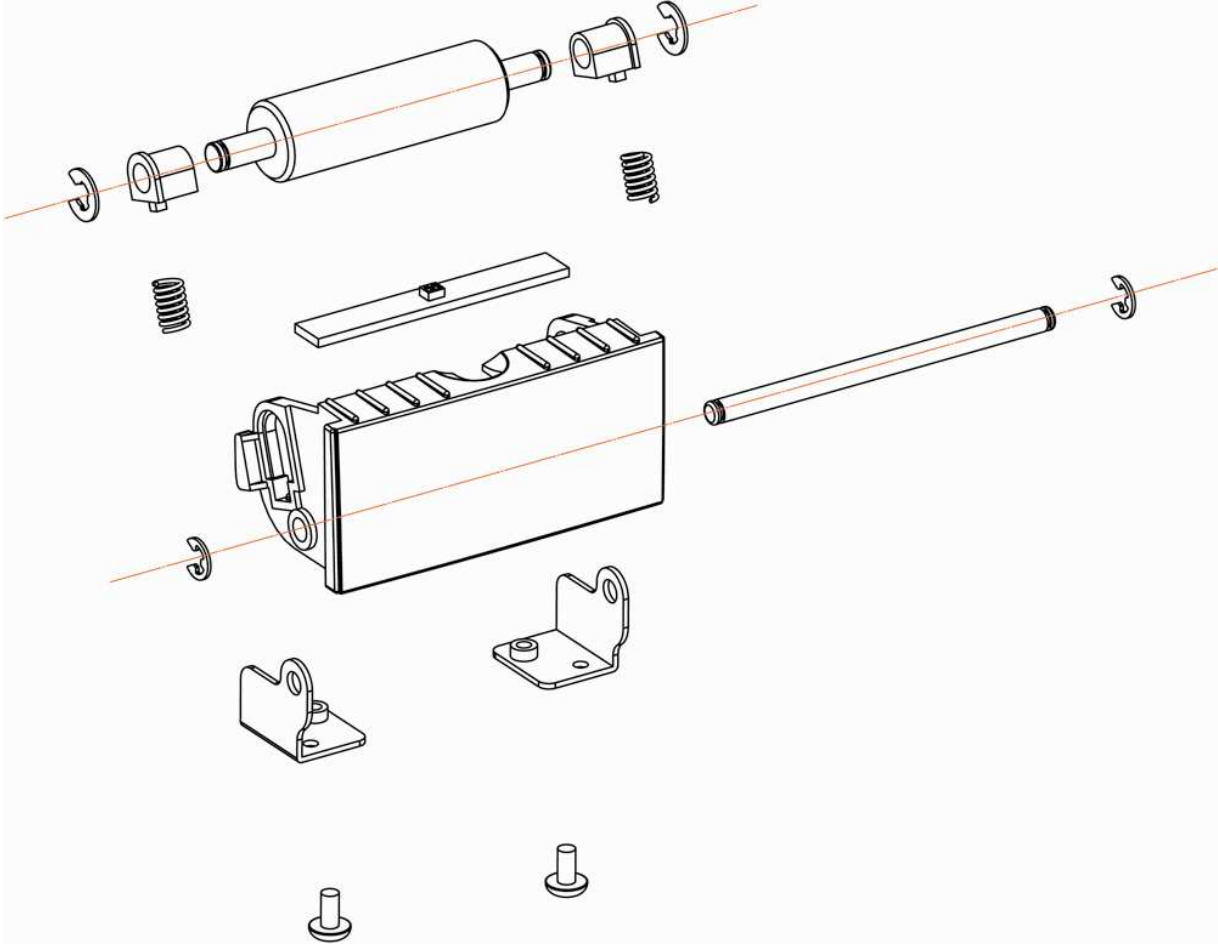
# CHAPTER 2 OPTIONAL MODULE LIST

## 2.1 OPTION - CUTTER MODULE



ITEM	PART NO.	DESCRIPTION	MODELS	LIST PRICE
1	031-R20002-000	2" G/CUTTER MODULE	RT200 / RT200i / RT230 / RT230i	\$

## 2.2 OPTION - LABEL DISPENSER MODULE



ITEM	PART NO.	DESCRIPTION	MODELS	LIST PRICE
1	031-R20001-000	LABEL DISPENSER MODULE	RT200 / RT200i / RT230 / RT230i	\$